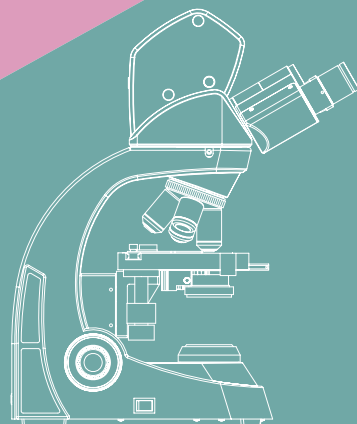
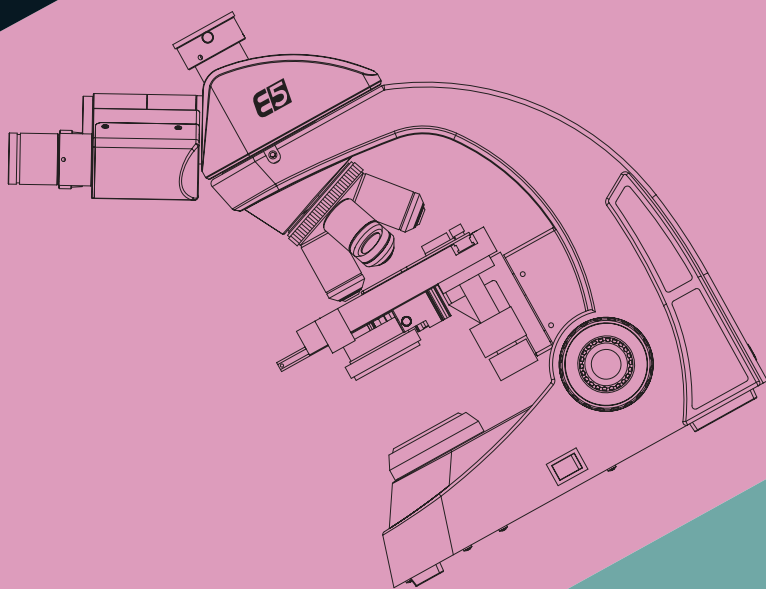
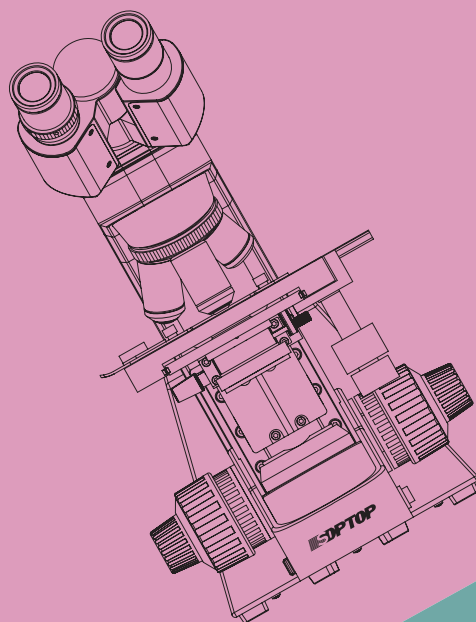
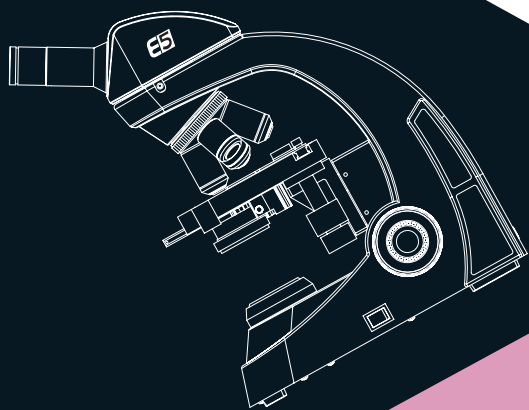


Sunny Instruments **E5** Series Biological Microscope





Personal belonging of young scientists

E5 series biological microscope with elaborate appearance and reliable quality, is beautiful and practical. Its easy operation and clear image inspire students' imagination and interesting of microscopy world, is helpful to explore the mystery of life science. New generation of scientists are born from here.



Compact and solid, innovative frame

High rigid but small as E5 series is, specially designed for students. The frame with hollow design is lightweight but stable, easy to carry. Pure white body with blue on the both sides, is fresh and vivid.

Ergonomics design

According to different interpupillary distances and eyesights of different people, the spacing of binocular tubes can be adjustable from 50mm to 75mm and the left tube with the focusing device, diopter is ± 5 adjustable.

140mmX132mm double layer mechanical stage with round corners avoids the harm caused by accidental impact. Combining XY coaxial adjustment with the scale (0.1mm) on the stage, easy operation and precision position are available.

With center presetting, the Abbe condenser is non-removable, kept with correct factory set all the way. With iris diaphragm and filter holder, different backlights are usable to improve the image contrast.

Coaxial coarse and fine adjustments on both sides of the frame, are easy to focus by either hand. The tension of coarse knob is adjustable, and the precision of fine knob is 0.002mm. Upper limit design avoids the impact between objective and slide.

LED illumination system, multiple power supplies for option

E5 series biological microscope adopts high performance LED illumination system with the characteristics of energy efficiency, environmental protection and long lifetime. With separated power switch and light dimmer, its intensity is adjustable.

- Built-in rechargeable batteries for option, is useful for field operation or off-position. It must be the best choice of field experiments as 8 hours continuous working is available.

- Special illumination system for health detection adopts EMC design, external wide voltage AC adapter, 100V-240V_AC50/60Hz input, 7.5V/2A output.

- Common illumination systems adopt 100V-240V_AC50/60Hz wide voltage, external or internal for option.



Item	Magnification	N.A.	W.D.(mm)	Cover glass(mm)	Parfocal distance(mm)	Conjugate distance(mm)
Achromatic objective	4X	0.10	21.30	0.17	45	195
	10X	0.25	6.40			
	40XS	0.65	0.48			
	100XS (oil)	1.25	0.15			

Item	Magnification	N.A.	W.D.(mm)	Cover glass(mm)	Parfocal distance(mm)	Conjugate distance(mm)
Plan achromatic objective	4X	0.10	15.10	0.17	45	195
	10X	0.25	1.50			
	20X	0.40	8.70			
	40XS	0.65	0.38			
	100XS (oil)	1.25	0.09			



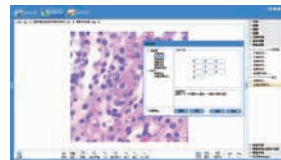
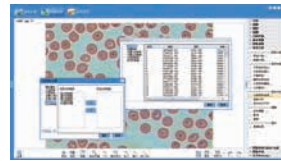
With E5 trinocular microscope and digital microscope, photograph, storage, analysis and transmission are achievable.



Connecting E5 built-in digital viewing head to the computer by USB cable, and combining with SUNNY 'MvImage' professional image analysis software, image statistics, analysis and processing are available.



Assembling an external camera (Sunny OD series cameras) on the trinocular viewing head by C-mount, 'MvImage' software is usable.

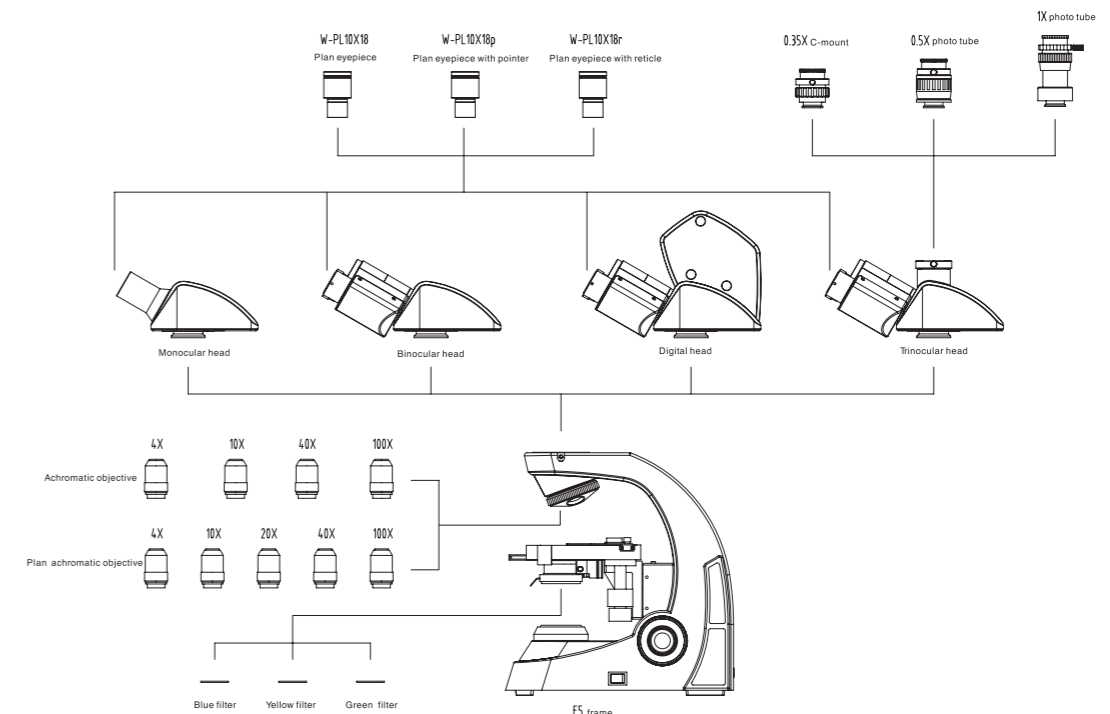


Assembling the DO500VSDH high-definition LCD module on E5 trinocular viewing head by 0.5X C-mount, photos and videos can be took and stored in 4G SD card directly. All kinds of equipment with HDMI interface are connectable, such as HD display, HD projector and so on. Other common monitors and computers are connectable as well.

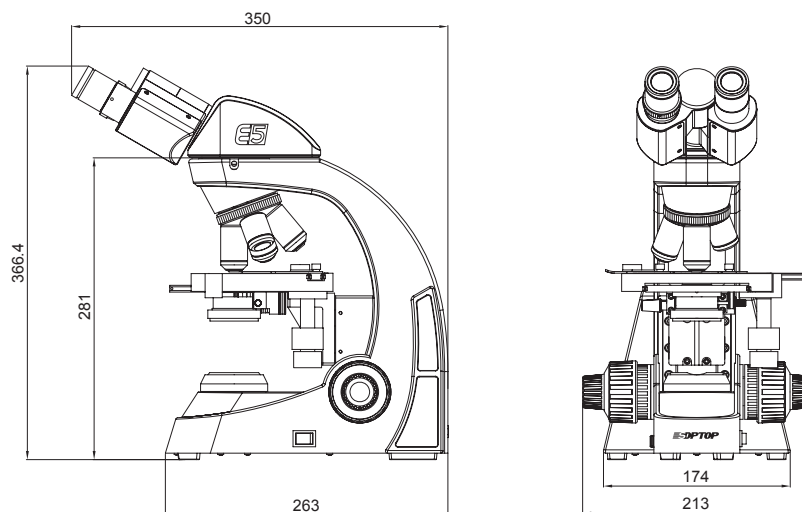
E5 Specifications

Optical system	Finite color corrected optical system
Viewing head	30° inclined monocular head
	30° inclined binocular head, interpupillary distance: 50–75mm, ± 5 diopter adjustable
	30° inclined trinocular head, splitting ratio R:T=80:20, interpupillary distance: 50–75mm, ± 5 diopter adjustable
	30° inclined digital viewing head, built-in 3.0 mega pixels CMOS, USB output; interpupillary distance: 50–75mm, ± 5 diopter adjustable
Eye-piece	Wide field plan eyepiece PL10X/18mm with/without reticle; PL10X/18mm with/without pointer
Objective	Achromatic objective (4X, 10X, 40XS, 100XS)
	Plan achromatic objective (4X, 10X, 20X, 40XS, 100XS)
Nosepiece	Quadruple nosepiece
Frame	Coaxial coarse and fine adjustment, with coarse adjustment stop and tightness adjustment, range: 25mm, precision: 0.002mm. 3W LED, center presetting, intensity adjustable, external wide voltage AC adapter, 100V–240V_AC50/60Hz input, DC7.5V 2A output.
	Coaxial coarse and fine adjustment, with coarse adjustment stop and tightness adjustment, range: 25mm, precision: 0.002mm. 3W LED, center presetting, intensity adjustable, external wide voltage AC adapter, 100V–240V_AC50/60Hz input, DC6V 2A output.
	Coaxial coarse and fine adjustment, with coarse adjustment stop and tightness adjustment, range: 25mm, precision: 0.002mm. 3W LED, center presetting, intensity adjustable, internal switch 100V–240V_AC50/60Hz.
	Coaxial coarse and fine adjustment, with coarse adjustment stop and tightness adjustment, range: 25mm, precision: 0.002mm. 3W LED, center presetting, intensity adjustable, internal 4 pieces rechargeable batteries, external wide voltage battery charger, 100V–240V_AC50/60Hz input, DC6V 1A output.
Stage	132mmX140mm double layers mechanical stage, moving range: 50mmX76mm, precision: 0.1mm.
Condenser	N.A.1.25 Abbe condenser with iris diaphragm
Others	Filters for transmitted light: blue/yellow/green
	Camera accessories: 0.35X/0.5X/1X focusing C-mount

E5 System diagram: mm



E5 Dimension: mm



 NINGBO SUNNY INSTRUMENTS CO.,LTD.

www.sunnyoptical.com
 www.sunnyoptical-instruments.com
 E0801B-1404
 No additional notice for changes on the specification or appearance



Add: No.66-68 Shunyu Road, Yuyao, Zhejiang, China.
 Tel: 0086-574-62553380
 Fax: 0086-574-62530066
 Zip: 315400
 E-mail: sales@sunnyoptical.com